

Fan filter VF series

Capture and filtering of fine and dry dust



- *High performance*
- *Compact*
- *Robust*
- *Recognized reliability*
- *Standard version in stainless steel*

The VF series of fans, without unclogging system, offers a good compromise between suction power and investment (very economical). They meet a very large number of dust removal problems encountered in all types of industries (foodstuffs, etc.).

The modern and versatile design of this range of devices offers the possibility of installing this device at a height. The suction pipe fixing has been designed in such a way as to be able to use quick couplers. The filtering is by a cartridge equipped with an EN 906 medium filter, processed in a PTFE bath.

Fan filter VF series

Compact standalone fan

CONFIGURATION:

Flow rate:

Between 500 m³/h and 1000 m³/h

Negative air pressure at the inlet of the fan:

100 to 240 mm CE depending on the model

Motor:

0.55 kW

0.75 kW

1.1 kW (with or without variable control)

Voltage:

230 / 400V at 50 / 60Hz

Turbine rotation speed:

1380 or 2860 rpm

0 - 2860 rpm for variable control motor

Noise level:

69 dBA at 2m under load

Weight:

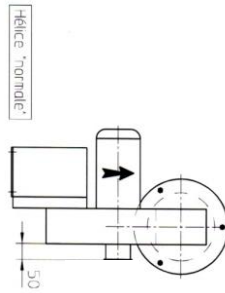
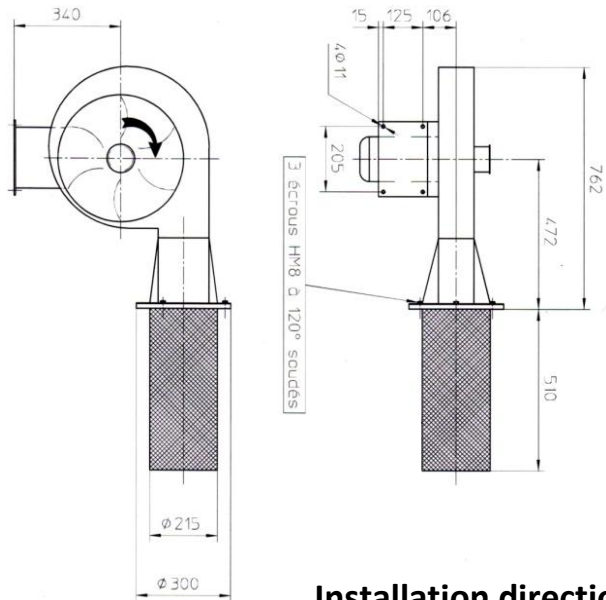
60 kg

Finish:

Stainless steel thickness 2mm micro shot peened

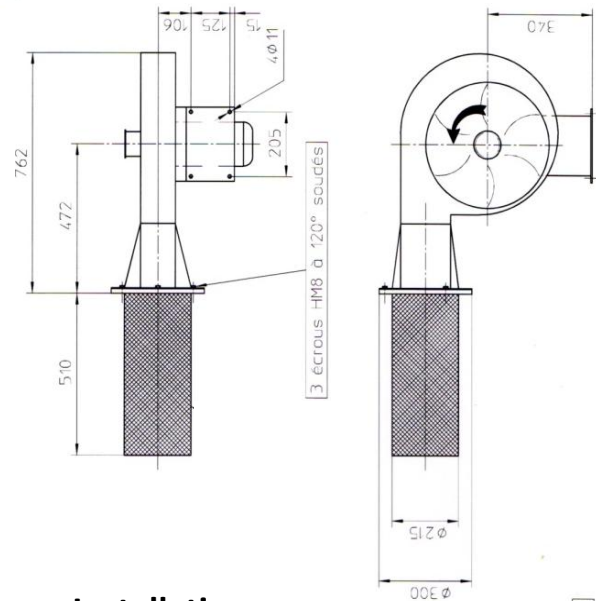
Filter cartridge:

EN 906 treated in a PTFE bath

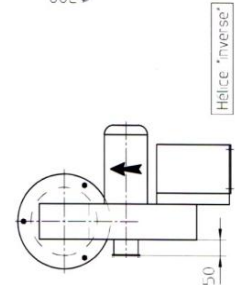


Installation directions
of the VF 500, 510, 530,
1000, 1010, 1030, 1050,

OR



Installation
directions of the VF
520, 540, 1020,
1040, 1060, 1080



ELCOWA 27, Rue de Ruelisheim 68200 MULHOUSE

Tel +33 (0) 389 573 573 fax +33 (0) 389 571 718