

## Static Elimination / Anti-Static Capacitive Bar, working distance 120 mm max.

# ECA 11 B

### Capacitive Bar ECA 11 B, working distance up to 120 mm

The first generation bars have their ionizing components directly connected to the high voltage. This new type of bars calls upon the accumulation of capacitive loads at the level of each point. The corona effect is obtained as soon as the capacity is saturated.

The advantage of the procedure is to avoid disturbances caused by accidental contact with the switched-on bars. These bars are compact and small, and are easily installed in all equipment. Practically indestructible when connected to a high voltage generator, they have an excellent ionic yield and remarkable efficiency.

A U-shaped aluminum profile holds an insulating bar, through which passes a highly insulated high voltage cable, in which the ionization points are inserted. The ionizing effect is particularly efficient because of an optimal ratio between points, insulation material and the bar earth. The various components have been designed with the greatest care and selected to avoid any untimely deterioration.



- High performance
  - Robust
- Recognized reliability
- Standard version under aluminum profile (optionally in stainless steel)
- Making to measure and quick delivery
  - Secure ionisation points (shockless)

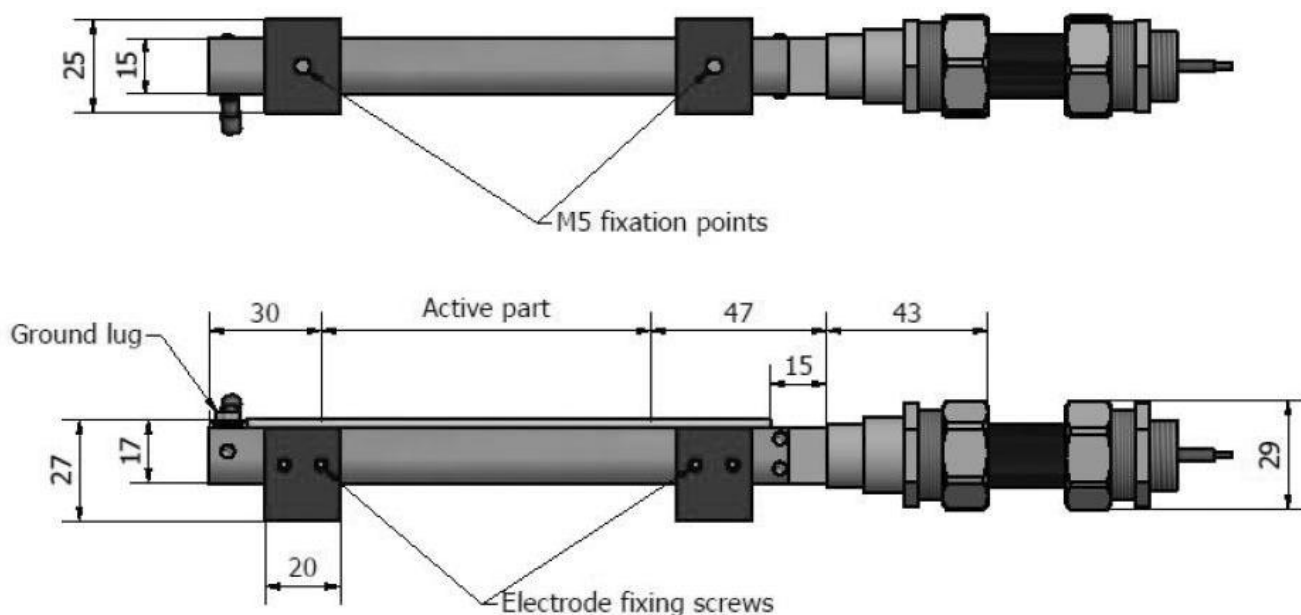
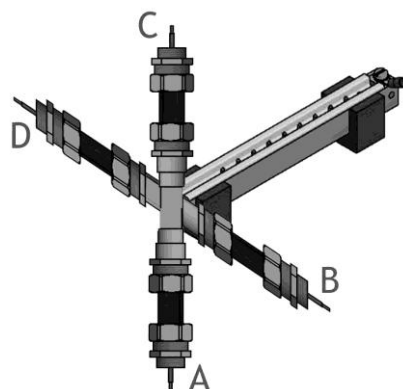


# Static elimination / Anti-Static Capacitive Bar, working distance 120 mm max.

## ECA 11 B




### TECHNICAL DATA



Working distance	120 mm max.
Active part	section: 15 x 18 mm length: 50 to 6000 mm.
Body	anodized aluminum
Ionization points	stainless steel
Insulation	polycarbonate
Cable	metal shielded, axial output, 3 m
Operating voltage	7 Kv AC
Operating temperature	0-55°C
Power units	SC 11 B
Connection	easy high voltage connector
Limits of use	115V-60Hz: 4 meters (active part + cable) 230V-50Hz: 8 meters (active part + cable)
Options	Elbow output (Type A, B, C or D) → Body in stainless steel Cable up to 10 m



**This equipment must not be used in an inflammable or explosive environment!**

The bar and the power unit are to be earthed well so that the appliance operates properly

 ELCOWA s.a. 27 Rue de Ruelisheim F-68200 MULHOUSE  
 +33 (0) 389 573 573  
 @sales@elcowa.com

 +33 (0) 389 571 718  
 www.elcowa.com

